





## DEWALT TAG

### Definitions: Safety Alert Symbols and Words

This instruction manual uses the following safety alert symbols and words to alert you to hazardous situations and your risk of personal injury or property damage.


-  **DANGER:** Indicates an imminently hazardous situation which, if not avoided, will result in **death or serious injury**.
-  **WARNING:** Indicates a potentially hazardous situation which, if not avoided, could result in **death or serious injury**.
-  **CAUTION:** Indicates a potentially hazardous situation which, if not avoided, may result in **minor or moderate injury**.
-  (Used without word) Indicates a safety related message.
- NOTICE:** Indicates a practice **not related to personal injury** which, if not avoided, may result in **property damage**.



**WARNING:** To reduce the risk of injury, read the instruction manual.

If you have any questions or comments, call us toll free at: 1-800-457-4233

### GENERAL SAFETY WARNINGS

-  **WARNING!** Read all safety warnings and all instructions. Failure to follow the warnings and instructions may result in electric shock, fire and/or serious injury.


**SAVE ALL WARNINGS AND INSTRUCTIONS FOR FUTURE REFERENCE**

## WHAT'S IN THE BOX

Includes: (1) 10'x10' Frame, (1) Shelter Top, (1) 4-Piece Spike Kit, and (1) Roller Bag

## ONE-TIME TOP INSTALLATION

### Unpack and Open

- 1. Place your **Frame** in the center of the area to be sheltered (flat surface preferred).
- 2.  **CAUTION:** With a partner on the opposite side of the **Frame**, grasp two legs, lift the **Frame** slightly off the ground, and step backward while pulling the **Frame** to open. (Fig A)
- 3. Stop when the **Frame** is approximately  $\frac{3}{4}$  of its fully-opened size.

### Attach Top



- 4. Gently unfold the **Top**, and place it over the semi-opened **Frame**.
- 5. Attach the **Top** to the **Frame** by matching the **Hook and Loop Strips** on the inside of the **Top** corners with the **Hook and Loop Strips** on each **Frame** corner. (Fig B)
- 6. Pull the **Top** down over the **Frame** corners—pushing the **Hook and Loop Strips** firmly together.

### Secure Top to Frame

- 7. Line up the grommet holes on the sides of the **Top** to the frame **Top Attachment Points**. Using a coin, unscrew the **Top Attachment Nut** from the frame bolt. (Fig C)
- 8. Place **Top** grommet on the **Frame** bolt. Screw on top attachment nut and tighten until snug. **Top** should rotate easily. Do not over-tighten.
- 9. Repeat this procedure at each of the **Top Attachment Points**. Note: Hold the bolt assembly with one hand while tightening the Top Attachment Nut with your other hand.

## SET UP



### Open Shelter

- 1.  **CAUTION:** With a partner on the opposite side, grasp the bottom of the diamond-shaped area of **Outer Trusses** near the "OPEN HERE" sticker. (Fig A)
- 2. Lift the **Frame** up slightly and step backward until the shelter is almost fully opened. Gently shake the shelter while opening.  **CAUTION:** Be careful not to pinch fingers!

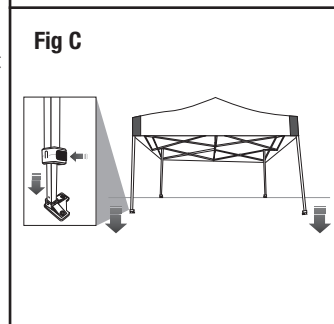
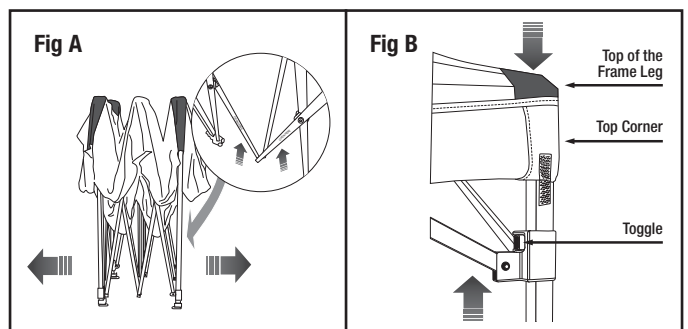
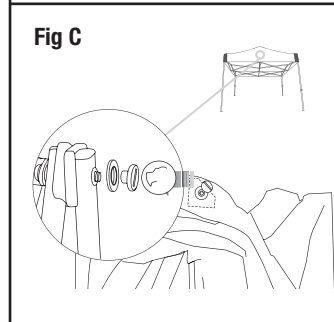
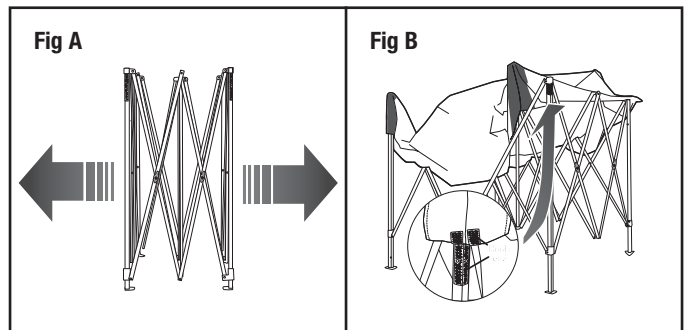
### Secure Toggle

- 3. Fold up the **Top** corner to expose the **Toggle**. (Fig B)
- 4. Lift shelter corner slightly off the ground and engage the **Toggle** by pushing up on the **Frame** side trusses with one hand while holding down the top of the **Frame Leg** with the other hand. The **Toggle** will auto-engage when aligned with the holes on the **Frame Legs**.
- 5. After the **Toggle** has locked into place, pull the **Top** down over the **Frame Leg**, making sure to align and secure the **Hook and Loop Strips** on the **Top** to the **Frame**.
- 6. Repeat on all remaining corners.

### Extend & Secure Frame Legs (Fig C)

- 7.  **CAUTION:** With a partner, lift the two adjacent legs up off the ground simultaneously to about waist height.
- 8. Slide the lower/inner legs out until the **Leg Adjustment Toggle** buttons lock at desired height on each leg. Note: There are 5 adjustment settings on each leg.
- 9. Repeat on the remaining legs.
- 10.  **CAUTION:** Insert the supplied stakes into the foot of each canopy leg. Note: To secure your canopy on a hard surface (concrete, deck, etc. or on sand) purchase weight bags, plates, or anchors.

**Your shelter setup is now complete!**



## TAKEDOWN

### Collapse Shelter Legs

- CAUTION:** With a partner, slightly lift two adjacent legs simultaneously.
- Depress the **Toggle** and slide lower/inner legs into upper legs, making sure to do two legs at a time on the same side. (Fig A)
- Repeat on remaining legs. **Note:** Keep the toggle button depressed while retracting leg.

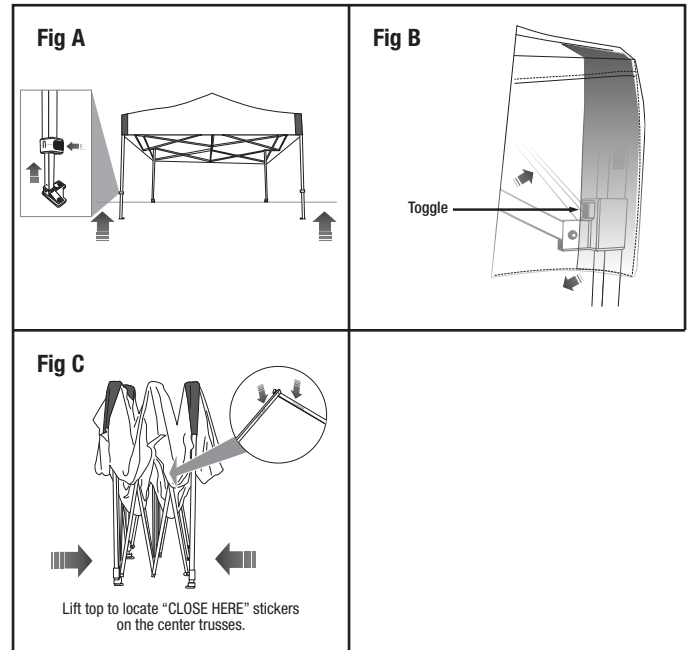
### Release Toggle

- With one hand, slightly push up on the truss near the **Toggle** to relieve pressure. (Fig B)  
With the other hand, press the **Toggle** to release the slider.
- Repeat on remaining legs.

### Closing Shelter

- Grasp the **Frame** on the top of the diamond-shaped area of **Center Trusses** on the opposite sides near the "CLOSE HERE" sticker. (Fig C)
- Lift the shelter up slightly, and shake it while stepping toward your partner until the shelter is approximately ½ closed.

- CAUTION:** Be careful not to pinch fingers!
- Grasp two legs, and push the frame together until it is fully closed.
- Store the shelter in the roller bag provided.



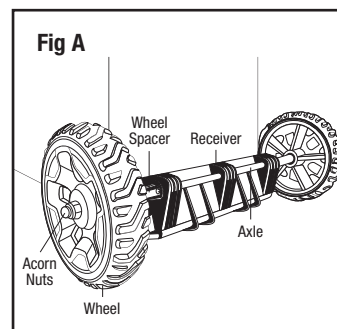
## ROLLER BAG

### One-Time Assembly (Fig A)

Use the Roller Bag to store and transport your shelter and Spike Kit.

- Slide **Axle** through Roller Bag **Receiver**.
- Slide the two **Wheel Spacers** onto each side of **Axle** (one on each side).
- Slide one **Wheel** onto each side of the **Axle**.
- Install **Acorn Nuts** onto the threaded ends of the **Axle** (2 places).  
Tighten with a ½" wrench (not supplied).

Your Roller Bag is ready to use!



## CARE AND MAINTENANCE

For long lasting durability and the best possible protection for your shelter products, follow these easy care and maintenance instructions:

- Use a mild soap (not detergent) and plenty of water for the top cleaning.
- Let the top and frame dry completely before closing or storing to avoid mildew.
- Frame will operate and look better if occasionally treated with silicone spray, especially before and after use in damp conditions. Remove excess silicone residue before applying top.
- Use a seam sealer (available at most sporting goods and hardware stores) if top leaks or drips water.
- Slightly tighten bolts if frame becomes loose.

## REPLACEMENT PARTS

1-800-45-SHADE

## WARRANTY INFORMATION

[www.ezup.com/warranties](http://www.ezup.com/warranties)

## CONDITIONS

This warranty shall be void as to any product that has been altered or modified in any manner. This warranty does not apply to damages caused by wind, rain, or other forces of nature, not to accidental or deliberate damage of the product, nor to the use of the product that does not conform with the product instructions. This warranty is provided in lieu of all other warranties, expressed or implied.

## IMPORTANT INFORMATION

READ THIS INFORMATION BEFORE PROCEEDING. IT IS THE USER'S RESPONSIBILITY TO TAKE THE FOLLOWING PRECAUTIONS AT ALL TIMES.

- WARNING:** Keep all flame and heat sources away from all Instant Shelter® fabrics and accessories. These fabrics meet the flammability requirements of shelter fabrics. The fabric may burn if left in continuous contact with any flame source. The application of any foreign substance to the fabric may render the flame-resistant properties ineffective.
- WARNING:** Always stake or weigh down your shelter with genuine E-Z UP® accessories. Do not use in any potentially windy or rainy weather.
- WARNING:** Wind and rain can damage your shelter and may also result in injury to you or others. Therefore, do not rely on your shelter for protection in heavy or prolonged rain storms.
- WARNING:** Do not use shelter in a lightning storm.
- CAUTION:** This product is designed as a temporary shelter. Do not leave up for extended periods.
- CAUTION:** Use care when handling the folding frame. Avoid pinching hands or fingers as frame opens or closes.
- CAUTION:** Do not leave your shelter product unattended.
- CAUTION:** Do not build fires within shelter enclosure.